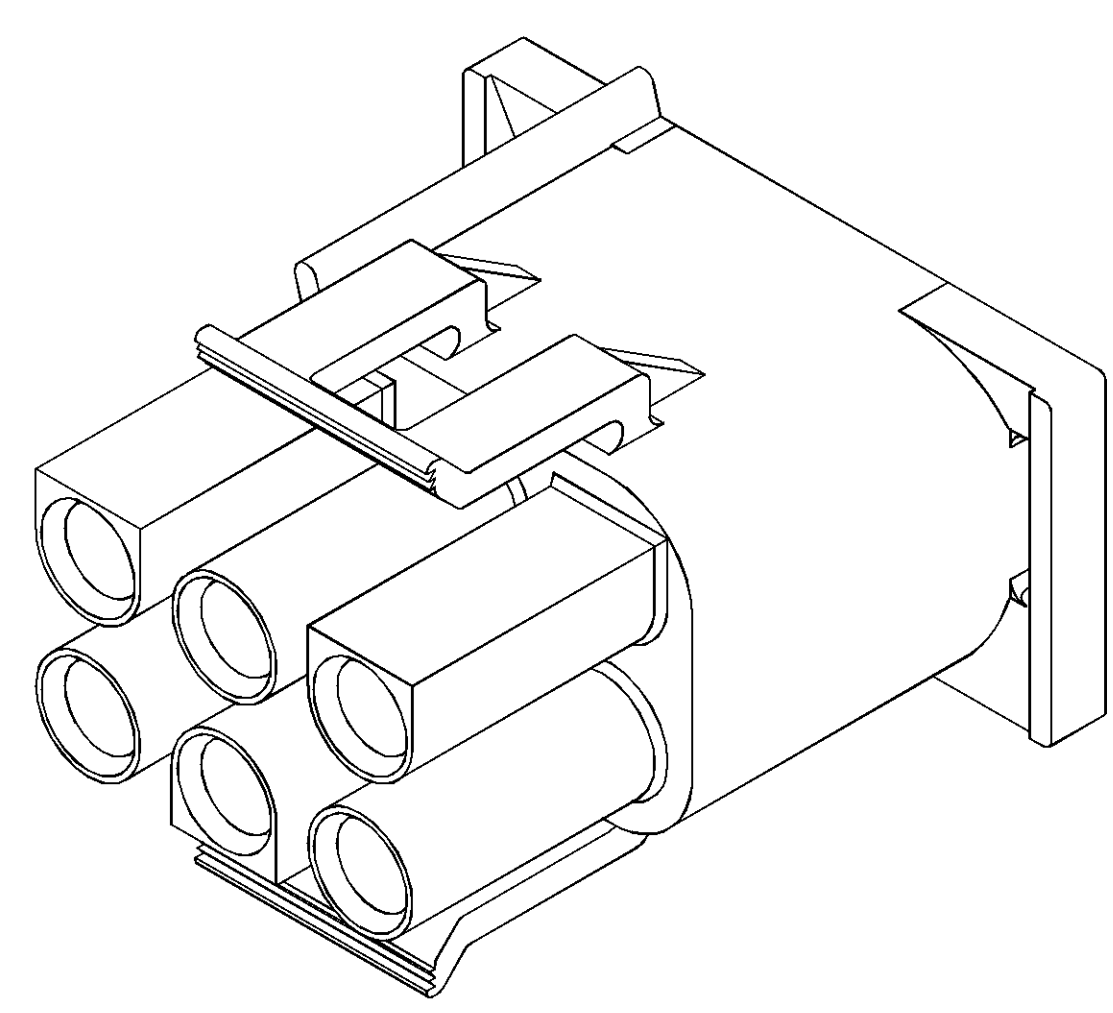
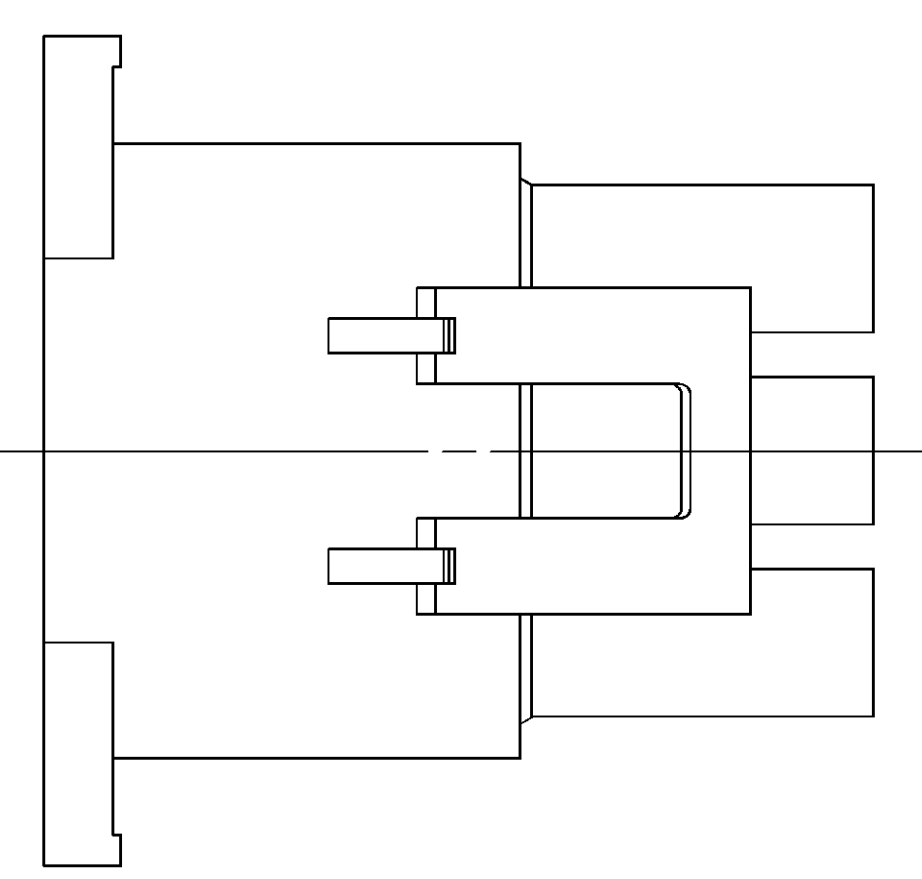
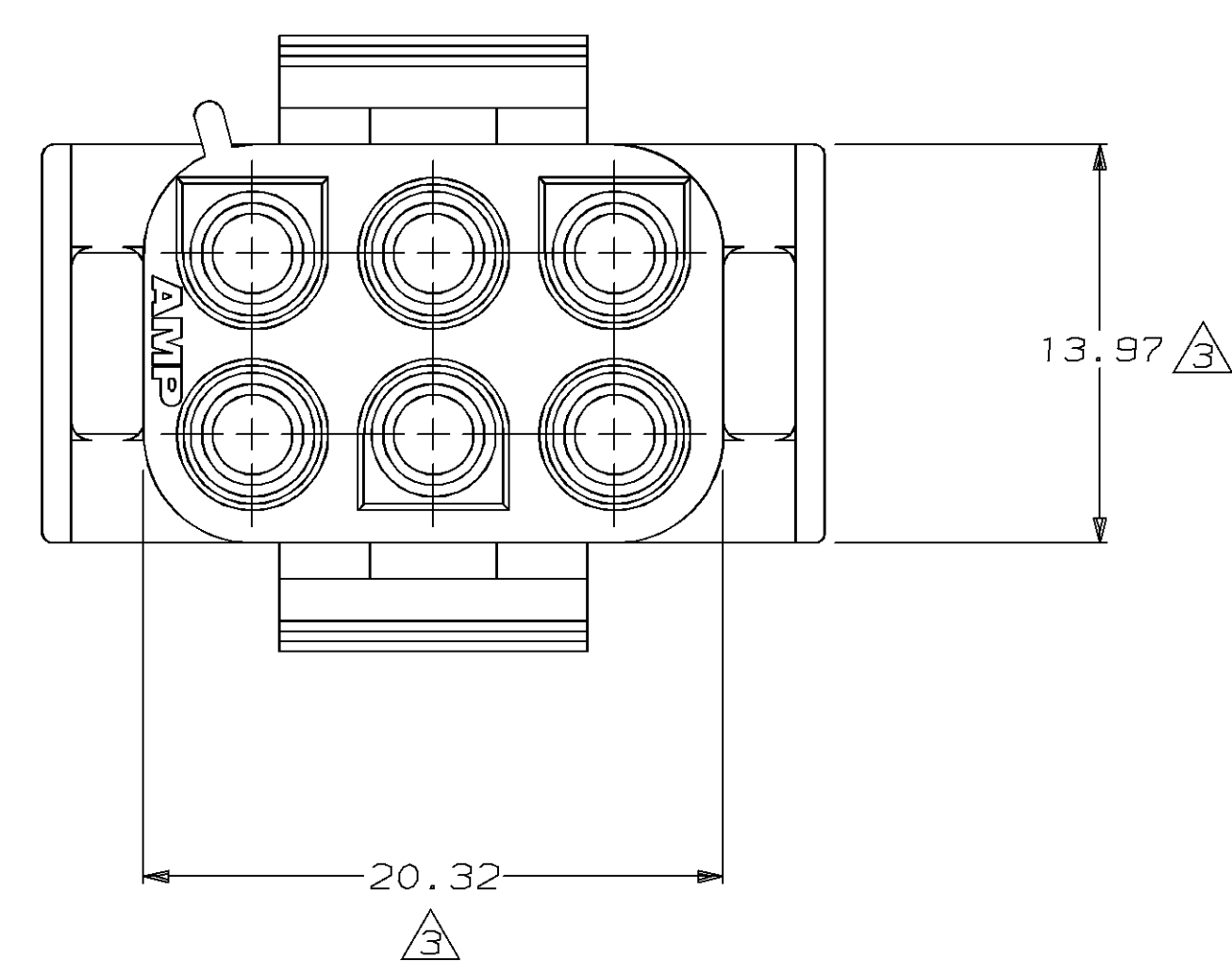
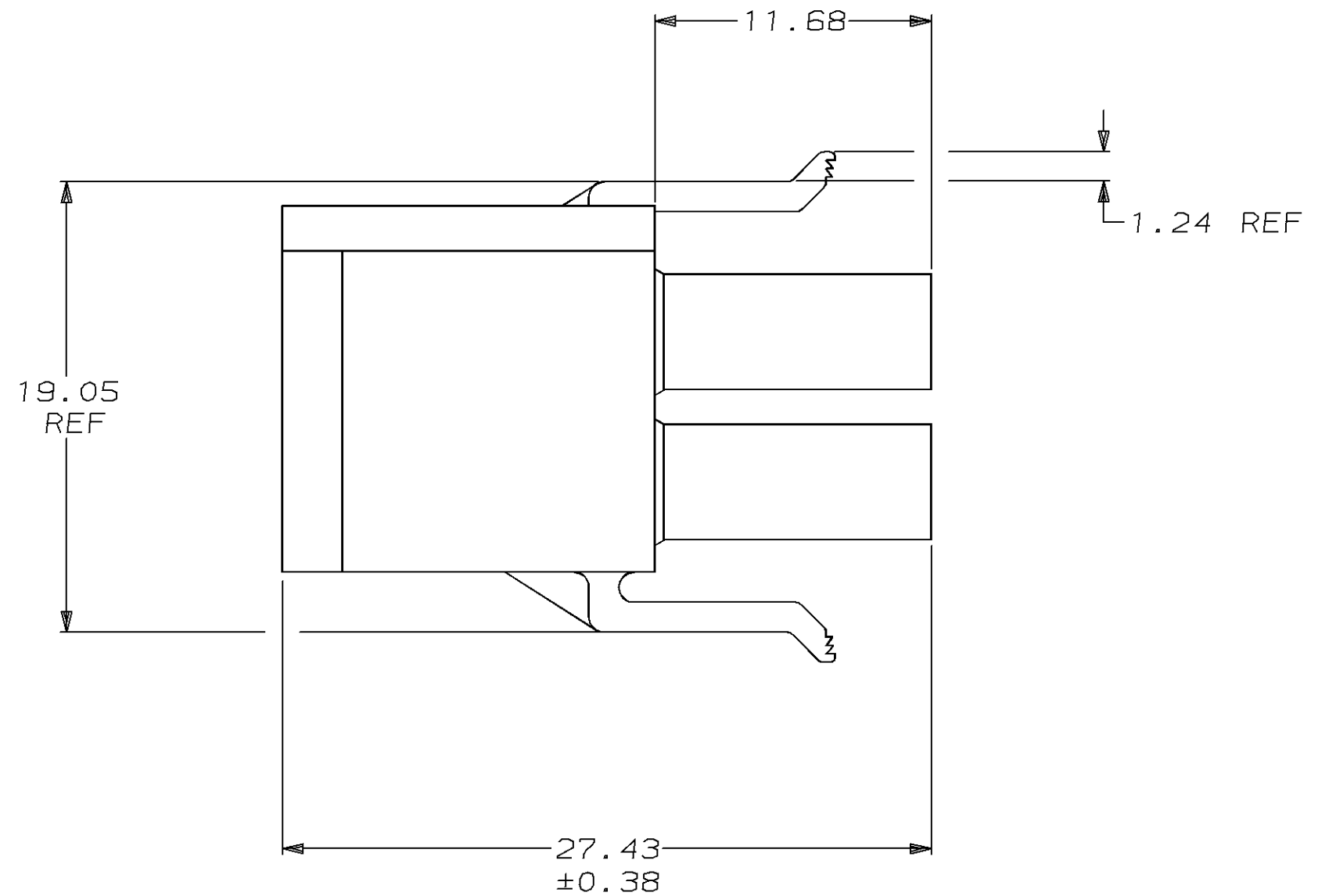
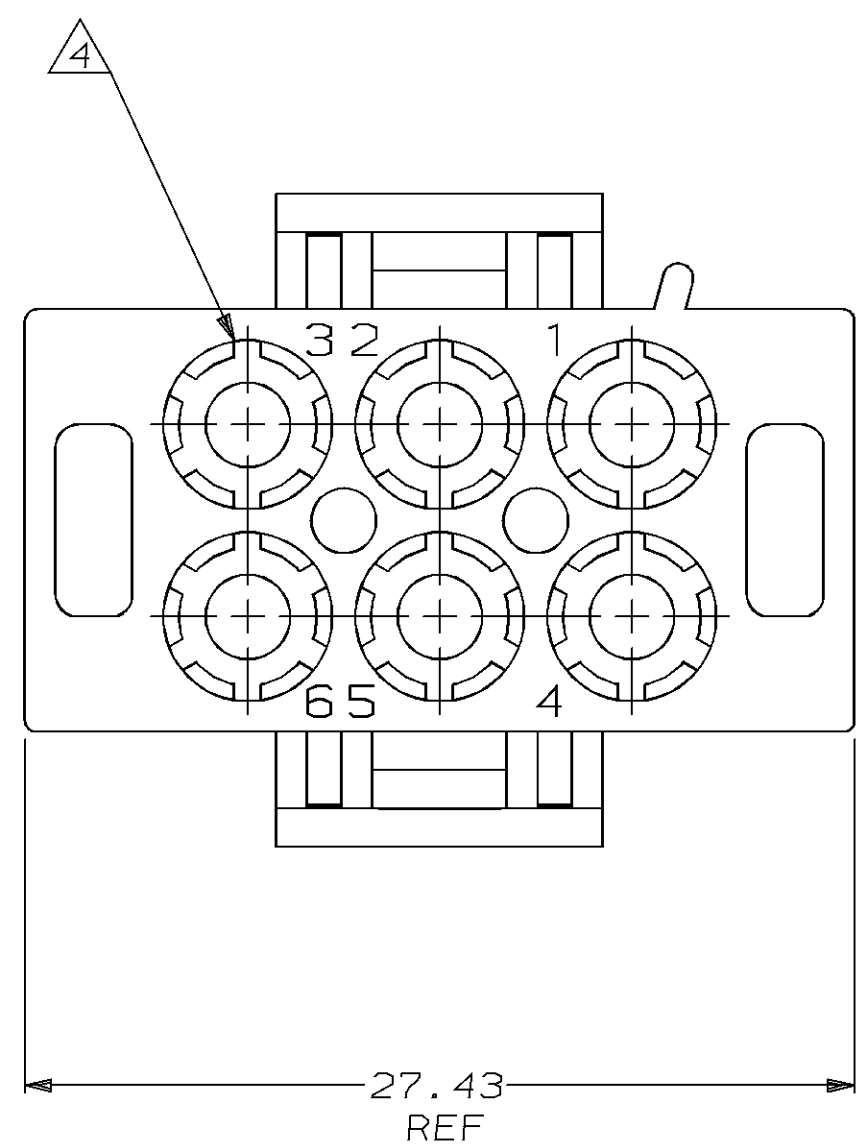


LOC		DIST		REVISIONS			
P	LYR	DESCRIPTION	DATE	DMN	APVD		
0		RELEASED PER PR 95-145	12-05-95	KW	RS		

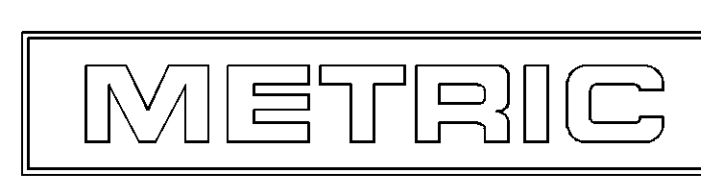
- MATES WITH APPROPRIATE UNIVERSAL MATE-N-LOK™ CAP OR HEADER.
- SMALL NICKS ARE PERMITTED ON THE CIRCUIT TOWERS WHICH COULD INCREASE THE INITIAL HOUSING MATING FORCE BY UP TO 4.4 NEWTONS [1.0 LBS]. NO INDIVIDUAL NICKED TOWER SHALL INCREASE THIS FORCE BY OVER 2.2 NEWTONS [.5 LBS].
- DIMENSION INDICATED IS AS MOLDED. ADDITIONAL GROWTH DUE TO SUBSEQUENT MOISTURE ABSORPTION MAY OCCUR.
- SIX RIBS EQUALLY SPACED, NO SPECIFIC ORIENTATION.



3-DIMENSIONAL MODEL
 NTS

MM	IN
27.43	1.080
20.32	.800
19.05	.750
13.97	.550
11.68	.460
1.24	.049
0.38	.015
0.13	.005
MM	IN

CONVERSION TABLE



794096-1
 PART NUMBER

<small>THIS DRAWING IS A CONTROLLED DOCUMENT FOR AMP INCORPORATED. IT IS SUBJECT TO CHANGE AND THE CONTROLLING ENGINEERING REGULATION SHALL BE CONTACTED FOR THE LATEST REVISION.</small>		DWN: K. WHITAKER 12-05-95 CHK: R. SWING 12-05-95 APVD: D. SELF 12-06-95	AMP AMP Incorporated Harrisburg, PA 17105-3608
DIMENSIONS: mm 	TOLERANCES UNLESS OTHERWISE SPECIFIED: 0 PLG ±- 1 PLG ±- 2 PLG ±0.13 3 PLG ±- 4 PLG ±- ANGLES ±0°30' FINISH -	PRODUCT SPEC: - APPLCATION SPEC: - WEIGHT: -	NAME: PLUG, SHORT LATCH, 6 CIRCUIT, UNIVERSAL MATE-N-LOK™ SIZE: A1 CAGE CODE: 00779 DRAWING NO: ©794096 SCALE: 4:1 SHEET: 1 OF 1 REV: 0
MATERIAL: NYLON, UL 94V-2, NATURAL		CUSTOMER DRAWING	